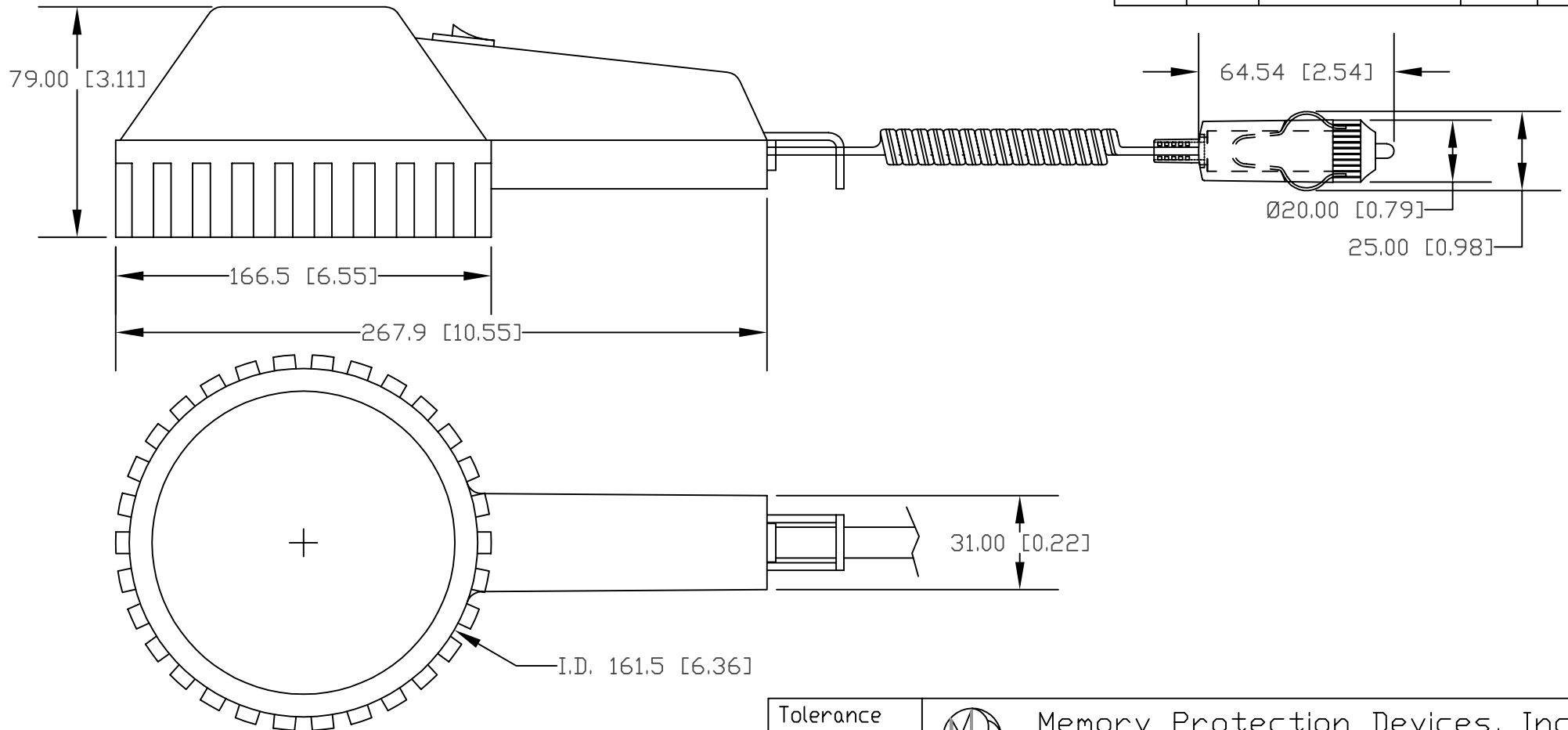



Date	SYM	REVISION RECORD	AUTH	DR.	CK.



NOTES:

- BODY: ABS
- REFLECTOR: IRON
- LENS: GLASS
- PLUG: BAKELITE
- CABLE: 0.12/25, 12 FEET LONG, PVC

Tolerance (Inches)	 Memory Protection Devices, Inc 200 Broad Hollow Road, Farmingdale, New York 11735		
	Decimal ±.5 (.020)	Scale	Drawn By B.S. Approved By T.B.
Fractional ± .8 (.030)	Title HAND SPOTLIGHT WITH CIGARETTE PLUG		
Angular ± 3°	Date 1/15/05	Drawing Number ZA6140	