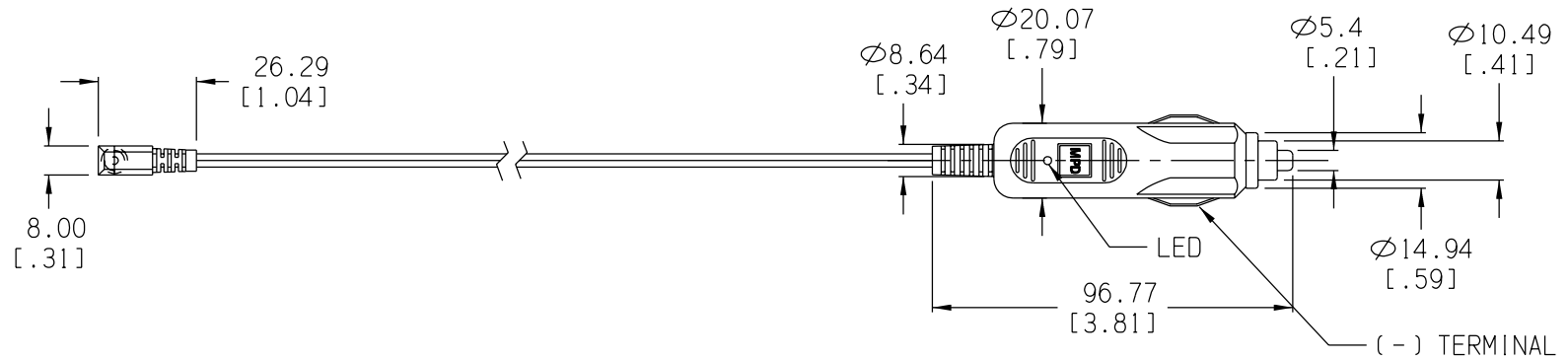


Date	SYM	REVISION RECORD	AUTH	DR.	CK.



BILL OF MATERIAL

PART #	QTY.	DESCRIPTION
APP-001	1	CIGARETTE PLUG FOR 21 OR 22.2mm DIA. SOCKETS
PLUG	1	DC MOLDED PLUG, 2.1 x 5.5mm
FUSE	1	3AG (6.35 x 30mm), 3 AMP.
CORD	1	UL AWM 2468, 22 AWG, 80°C, UL-VW-1

Tolerance (Inches)

- Decimal
- ±.5 (.020)
- Fractional
- ± .8 (.030)
- Angular
- ± 3°



Memory Protection Devices, Inc

200 Broad Hollow Road, Farmingdale, New York 11735

Scale
 Drawn By B.S.
 Approved By T.B.

Title ZA5077 WITH DC PLUG CENTER CONTACT NEGATIVE

Date 07/19/03
 Drawing Number ZA5077-R