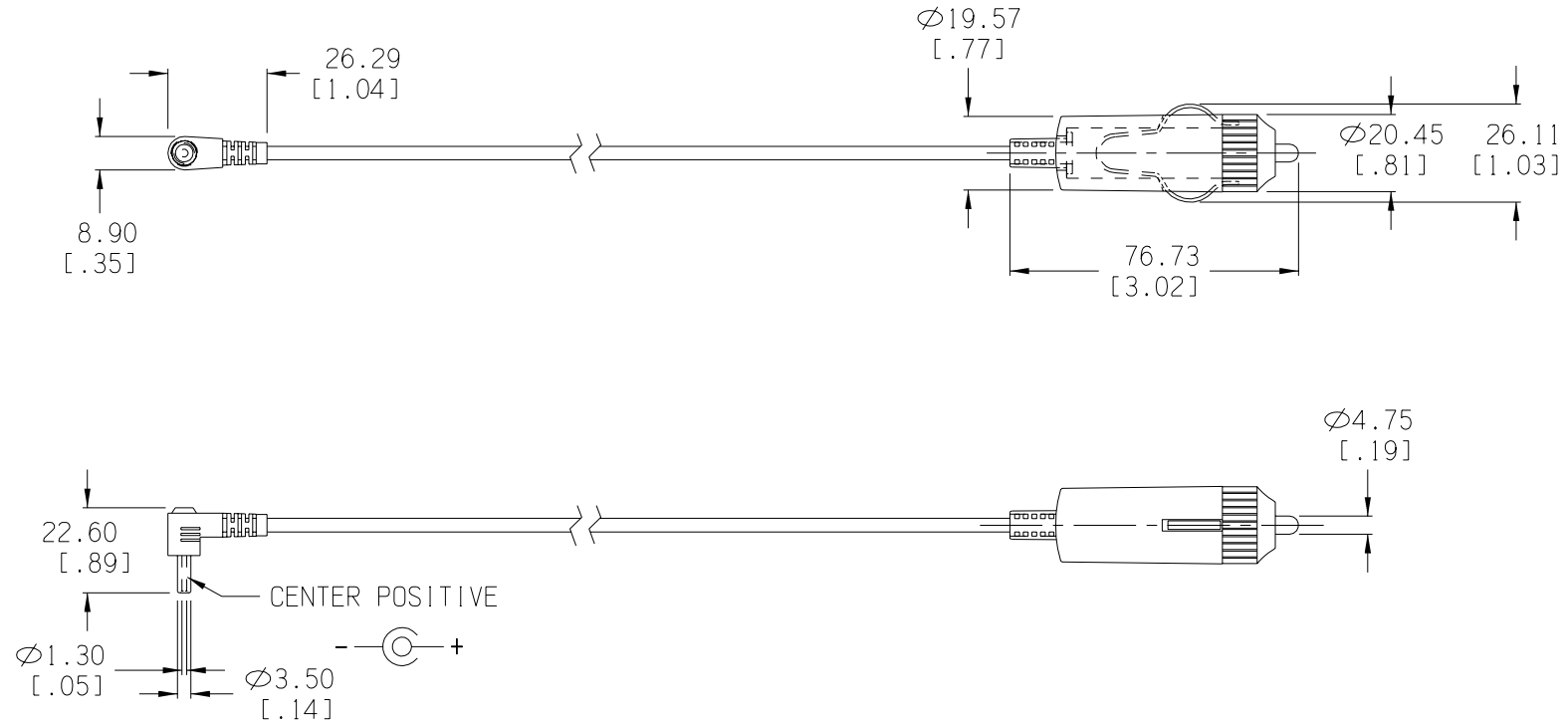


Date	SYM	REVISION RECORD	AUTH	DR	CK
02/15/03	A	400mm LONG,(0.12/10 x 2) x 1C , OD3.5 WAS 400mm LONG 0.12/7 x 1C + 0.12/31 OD2.5	T.B.	B.S.	



BILL OF MATERIAL

PART #	QTY.	DESCRIPTION	Tolerance (Inches)	Memory Protection Devices, Inc. 200 Broad Hollow Road, Farmingdale, New York 11735	
ZA1030	1	CIGARETTE PLUG FOR 21 OR 22.2mm DIA. SOCKETS	Decimal	Scale	Drawn By B.S.
PLUG	1	DC MOLDED PLUG, 1.3mm x 3.5mm, RIGHT ANGLE	$\pm .5$ (.020)		Approved By T.B.
CORD	1	400mm LONG,(0.12/10 x 2) x 1C , OD3.5	Fractional $\pm .8$ (.030)	Title AUTO POWER CORD SET, RIGHT ANGLE 1.3mm DC PLUG	
			Angular $\pm 3^\circ$	Date 02/15/03	Drawing Number ZA5036