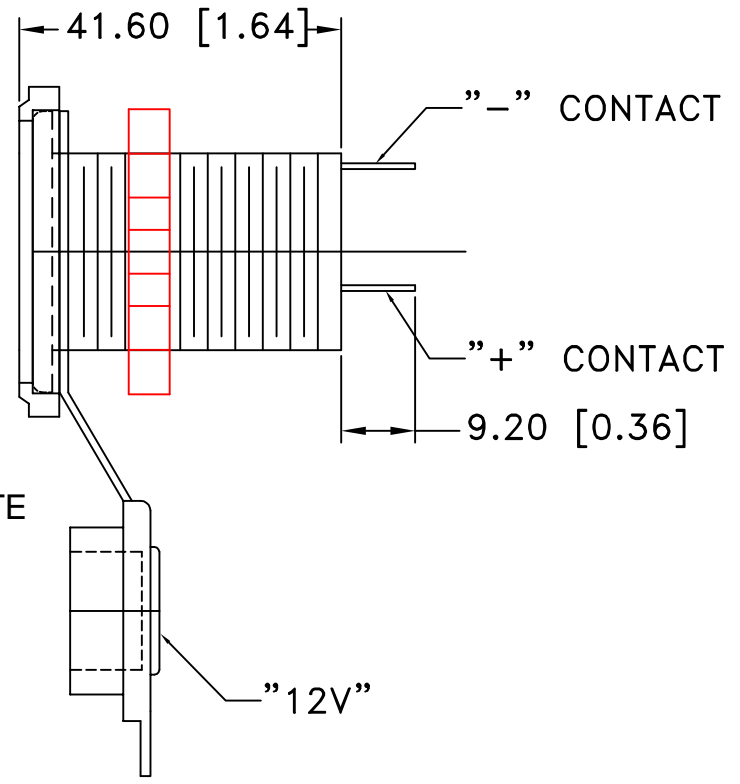
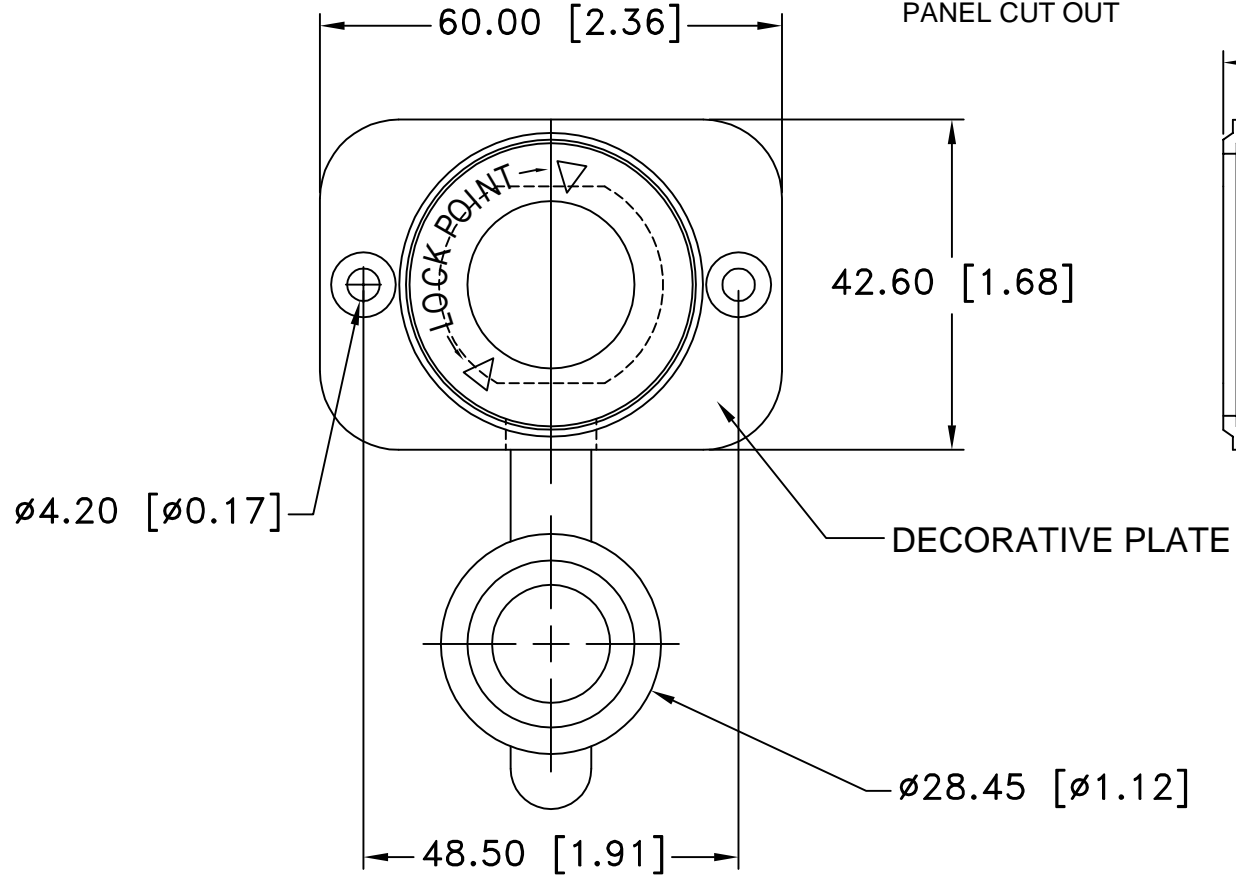
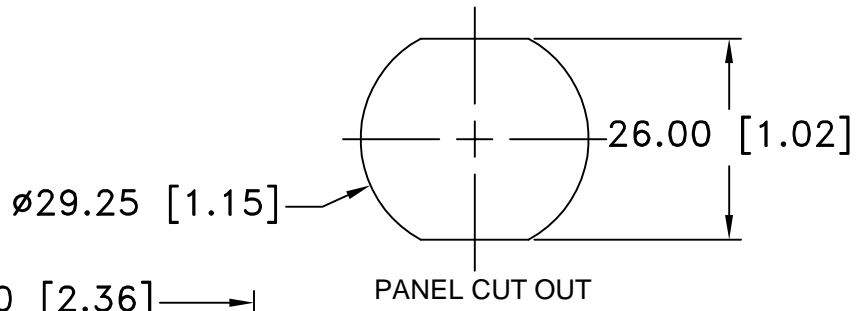



Date	SYM	REVISION RECORD	AUTH	DR.	CK.



MATERIAL SPECIFICATION:
 COVER: PVC
 BODY: NYLON #66
 CONTACTS: BRASS, NICKEL PLATED
 NUT: NYLON #66
 BASE: NYLON #66
 DECORATIVE PLATE: NYLON #66
 RATING: 12V, 15AMP

Tolerance (Except as noted)	 Memory Protection Devices, Inc 200 Broad Hollow Road, Farmingdale, New York 11735	Scale	Drawn By B.S.
			Approved By T.B.
decimal ±.5 (.020)	Title 12V CIGARETTE SOCKET, 15AMP	Date 6/17/06	
Fractional ± .8 (.030)		Drawing Number AS-212C	
Angular ± 3°	Date 6/17/06		
		Drawing Number AS-212C	