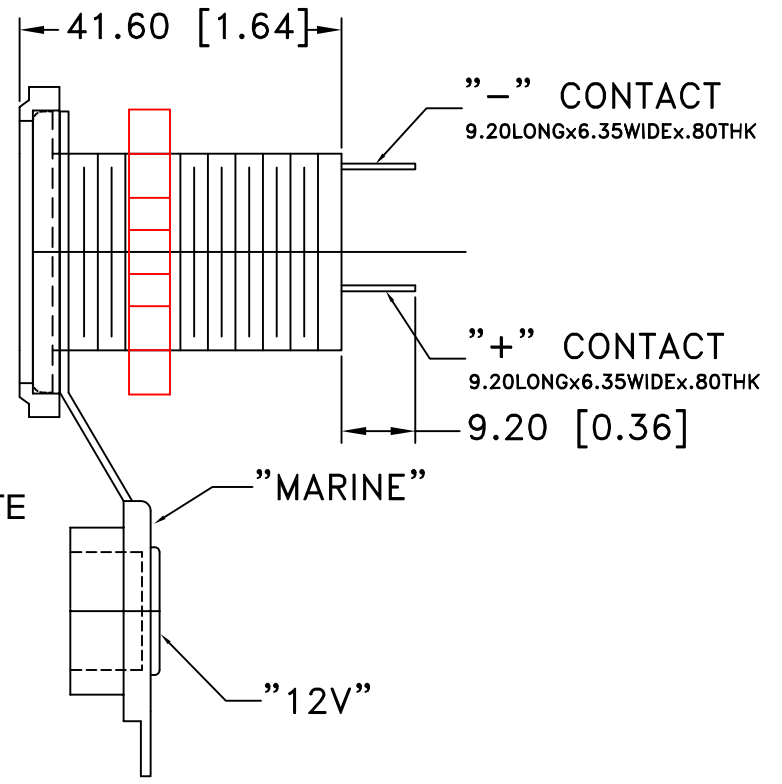
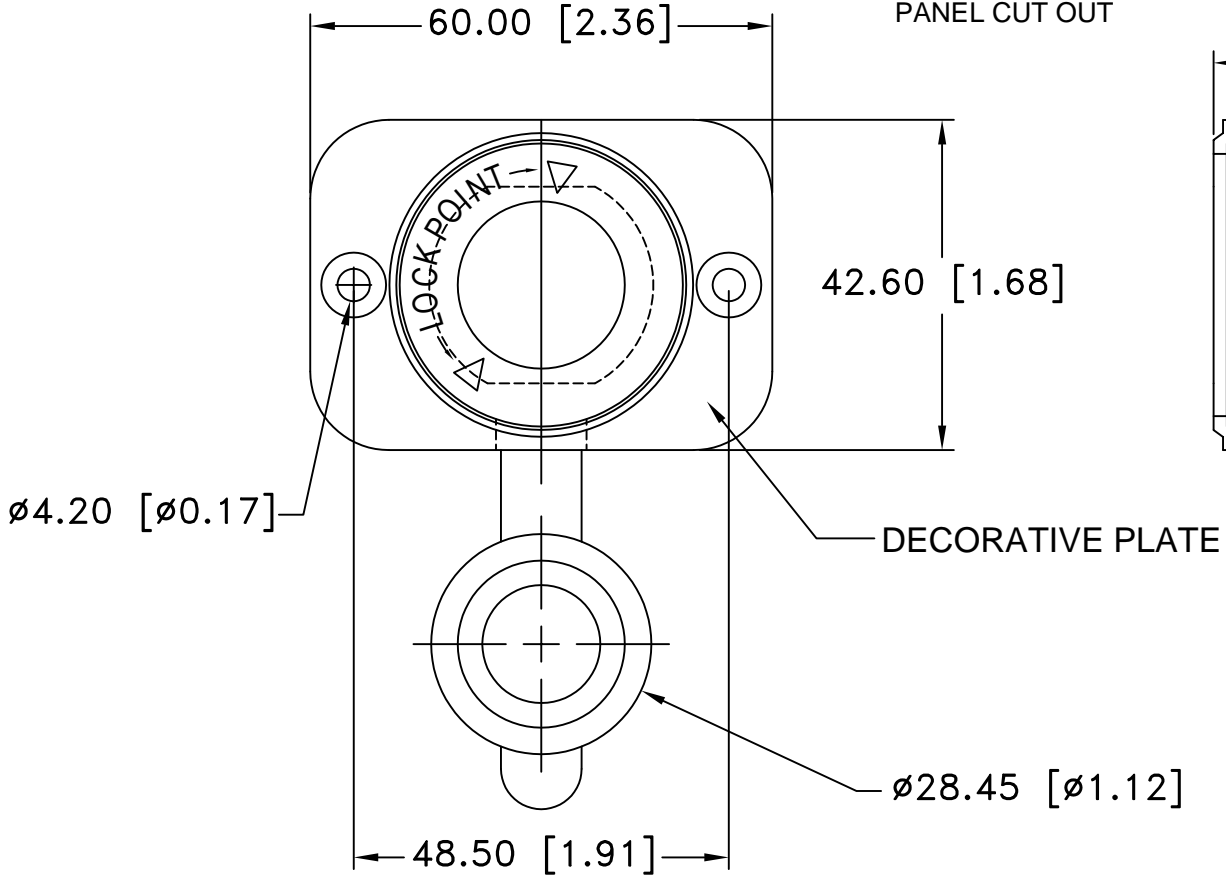
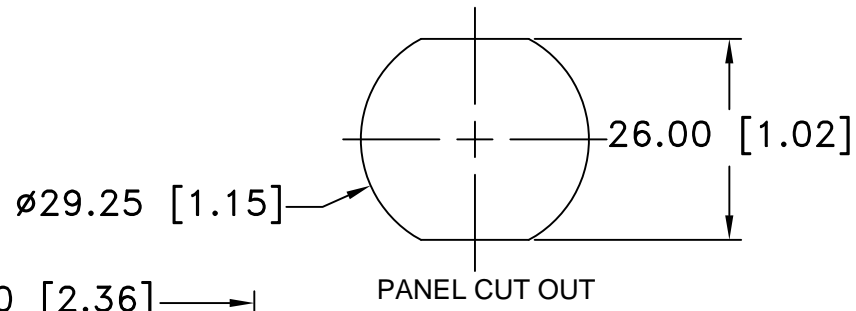



Date	SYM	REVISION RECORD	AUTH	DR.	CK.
2/27/09	A	ADDED CONTACT SIZE	T.B.	B.S.	



MATERIAL SPECIFICATION:
COVER: PVC
BODY: NYLON #66
CONTACTS: BRASS, NICKEL PLATED
NUT: NYLON #66
BASE: NYLON #66
DECORATIVE PLATE: NYLON #66
RATING: 12V, 15AMP

Tolerance (Except as noted)	 Memory Protection Devices, Inc 200 Broad Hollow Road, Farmingdale, New York 11735		
decimal $\pm .5$ (.020)	Scale	Drawn By B.S.	
Fractional $\pm .8$ (.030)	Title 12V CIGARETTE SOCKET, 15AMP		
Angular $\pm 3^\circ$	Date 2/27/09	Drawing Number AS-212A	
		Approved By T.B.	