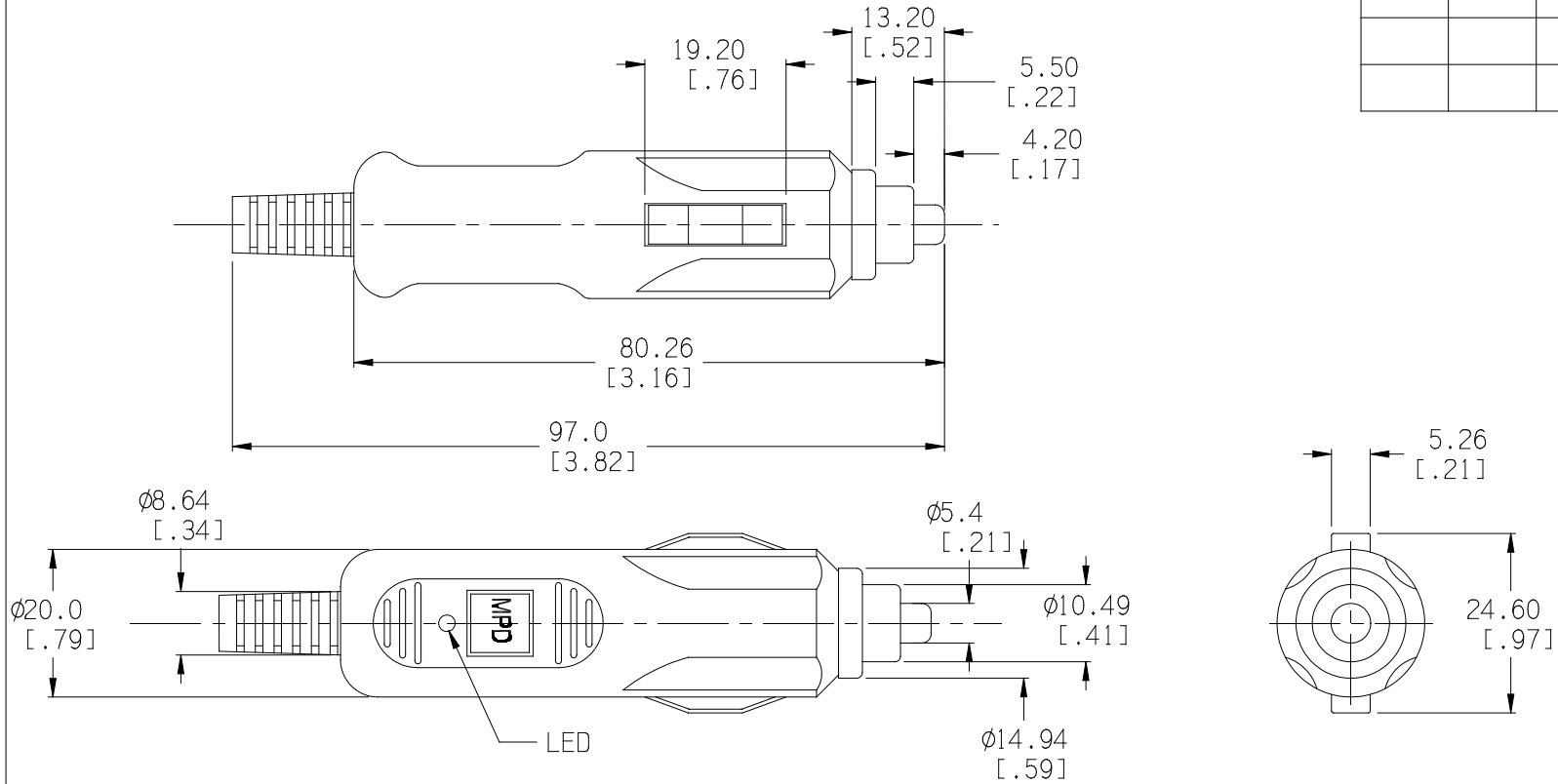



Date	SYM	REVISION RECORD	AUTH	DR.	CK.
9/19/08	A	UPDATED DIM. AND MATERIAL	T.B.	B.S.	



**SPECIFICATION:**

BODY: PA 765(V0), UL FILE #E56070  
 COLOR: BLACK  
 CENTER CONTACT: BRASS, NICKEL PLATED  
 SLIDING CONTACTS: PHOS. BRONZE, NICKEL PLATED  
 SPRING: STEEL, ZINC PLATED  
 WIRE STRAIN RELIEF: PVC  
 LED: RED, 3mm, 12V  
 FUSE: 250V, 3 AMP, 3AG 6.35mm x 30mm (1/4" X 1 1/4")  
 RATED AT 18 HOURS, CONTINUOUS DUTY  
 10 AMP'S MAX WITH CORRECT FUSE.  
 ROHS COMPLIANT

Tolerance (Inches)	 Memory Protection Devices, Inc. 200 Broad Hollow Road, Farmingdale, New York 11735		
Decimal		Scale	Drawn By B.S.
$\pm .5$ (.020)			Approved By T.B.
Fractional	Title		
$\pm .8$ (.030)	CIGARETTE PLUG FOR 21 OR 22.2mm DIA. SOCKETS		
Angular	Date	Drawing Number	
$\pm 3^\circ$	9/19/08	APP-001-V0	