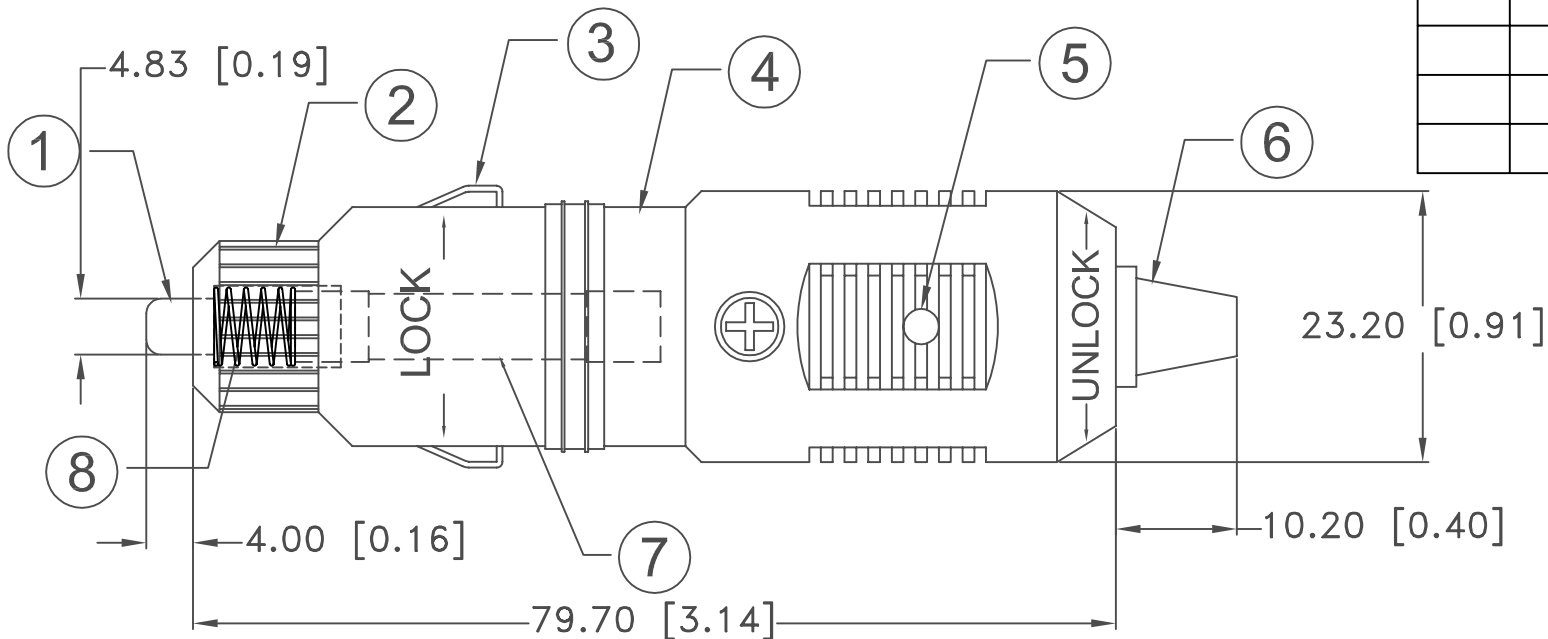



Date	SYM	REVISION RECORD	AUTH	DR.	CK.
10/22/05	A	ADDED "ROHS COMPLIANT"	T.B.	B.S.	



ITEM NO.	PART NAME	MATL. SPECIFICATION
1	TIP CONTACT (+) TERMINAL	BRASS, NICKEL PLTD.
2	NOSE CAP	BRASS, NICKEL PLTD.
3	(-) TERMINAL	BRASS, NICKEL PLTD.
4	BODY	NYLON #6
5	LED	GREEN, 3mm, 12V
6	STRAIN RELIEF	PVC 100%
7	FUSE	250V, 3 AMP, 3AG 6.35mm X 30mm (1/4" x 1 1/4")
8	SPRING	STEEL LINE

NOTE:
 MAXIMUM RATING: 8AMP.
 ROHS COMPLIANT

Tolerance (Except as noted)	 Memory Protection Devices, Inc 200 Broad Hollow Road, Farmingdale, New York 11735	Scale	Drawn By B.S.
			Approved By T.B.
decimal ±.5 (.020)	Title CIGARETTE PLUG	Date 10/22/05	
Fractional ± .8 (.030)		Drawing Number AP121	
Angular ± 3°			